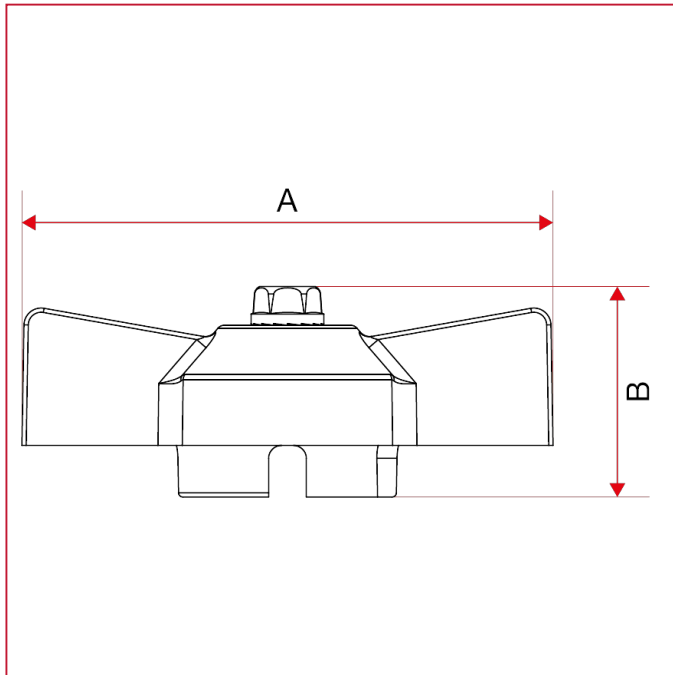




# HANDLES FOR GAS BALL VALVES

## 087G T handle for ball valves

### OVERALL DIMENSIONS



	1	2	3
A	47	54	62
B	23,5	24,8	24,5