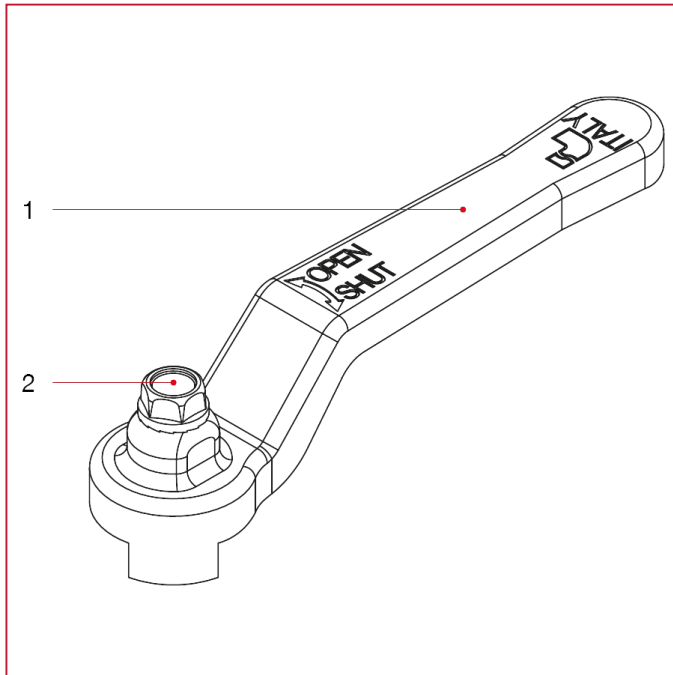




HANDLES FOR GAS BALL VALVES

086G Lever handle for ball valves

MATERIALS



POS.	DESCRIPTION	N.	MATERIAL
1	Lever handle	1	Varnished steel P04
2	Screw	1	Zinc-plated steel C4C