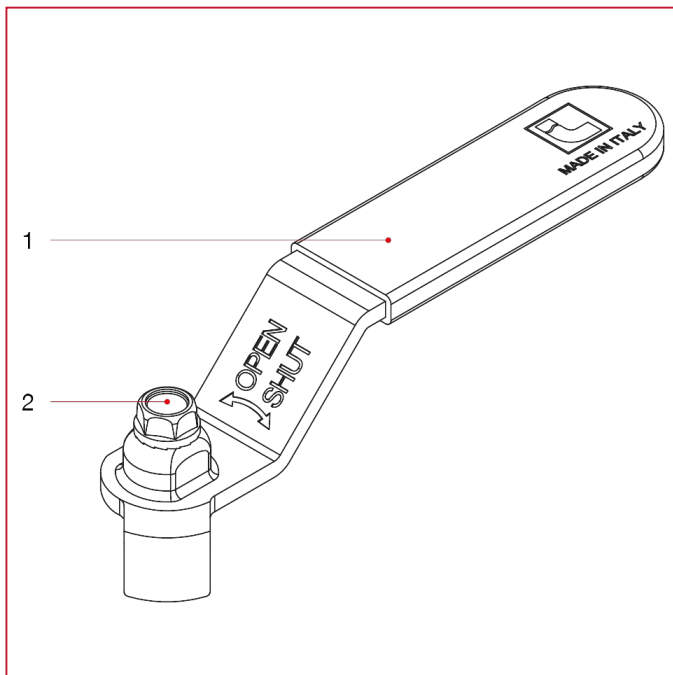




HANDLES FOR GAS BALL VALVES

084G Flat lever handle for ball valves

MATERIALS



POS.	DESCRIPTION	N.	MATERIAL
1	Flat lever handle	1	Zinc-plated and plastic coated steel P04
2	Screw	1	Zinc-plated steel C4C