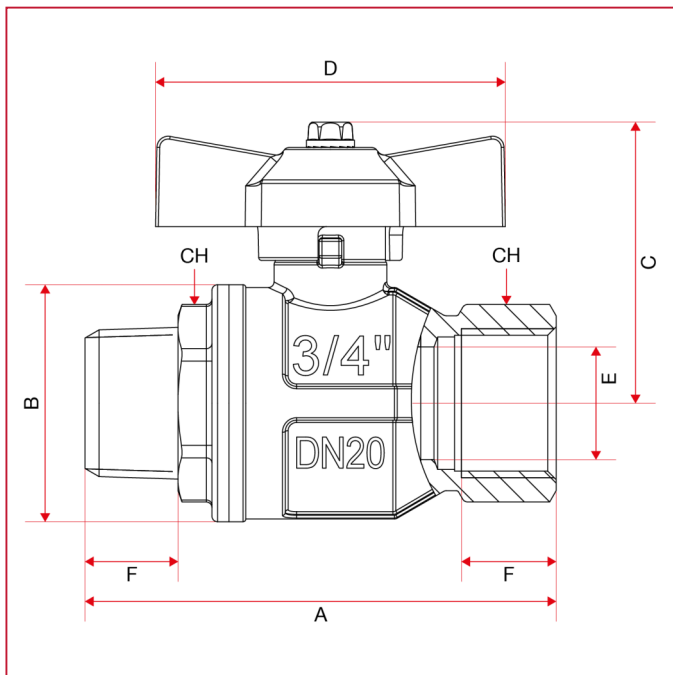




FULL FLOW BALL VALVES: PARIS

083 Paris ball valve, full flow

OVERALL DIMENSIONS



	1/2"	3/4"	1"
DN	15	20	25
A	76,5	83,5	93
B	32,5	42	49,5
C	44	50	53
D	54	62	62
E	15	20	25
F	15	16,3	19,1
G	15	16,5	19
CH	25	31	40
Kg/cm ² bar	50	40	40
LBS - psi	725	580	580