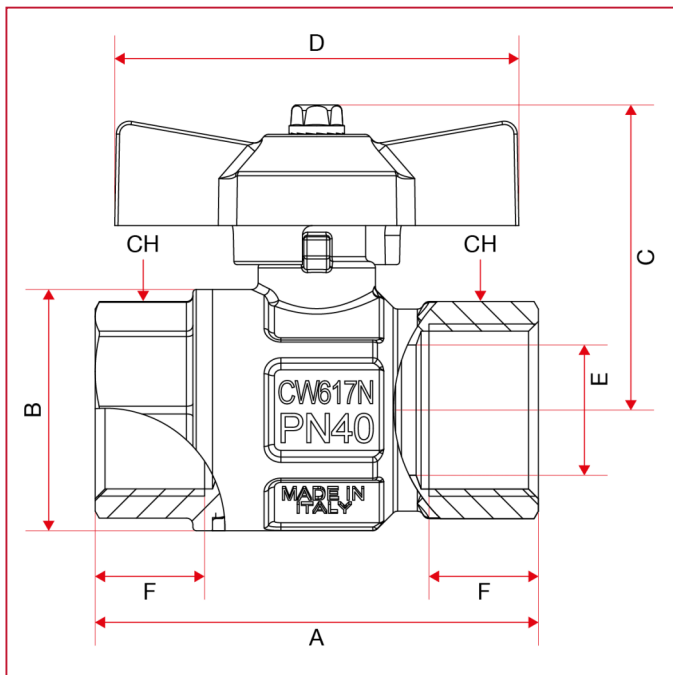




FULL FLOW GAS BALL VALVES: LONDON

068 London ball valve, full flow

OVERALL DIMENSIONS



| | 1/4" | 3/8" | 1/2" | 3/4" | 1" |
|------------------------|------|------|------|------|------|
| DN | 8 | 10 | 15 | 20 | 25 |
| A | 49,5 | 52,4 | 61 | 68 | 85 |
| B | 23,5 | 24 | 30,5 | 37 | 45,5 |
| C | 37,3 | 37,3 | 43,8 | 46,8 | 50,8 |
| D | 47 | 47 | 54 | 62 | 62 |
| E | 10 | 10 | 15 | 20 | 25 |
| F | 11 | 11,4 | 15 | 16,3 | 19,1 |
| CH | 18 | 21 | 25 | 31 | 38 |
| Kg/cm ² bar | 5 | 5 | 5 | 5 | 5 |
| LBS - psi | 72,5 | 72,5 | 72,5 | 72,5 | 72,5 |