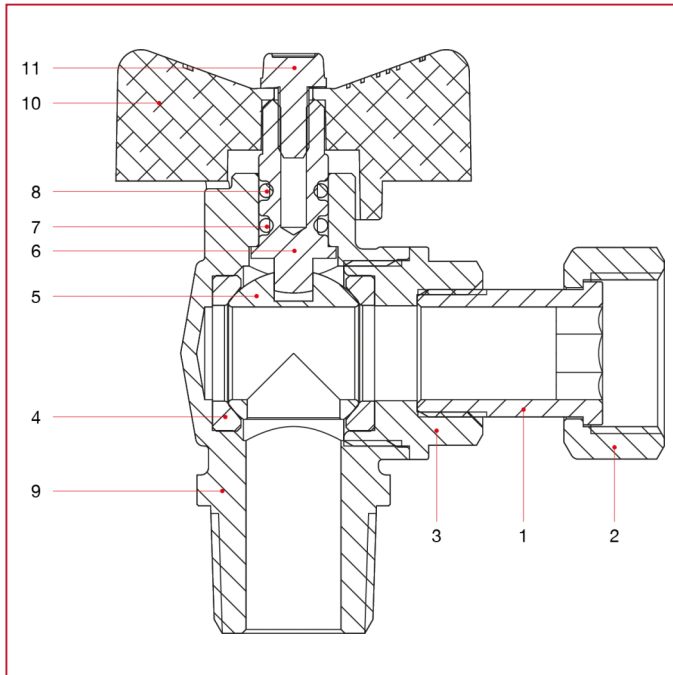




ANGLE BALL VALVES FOR GAS

062 Angle ball valves for gas with revolving nut

MATERIALS



POS.	DESCRIPTION	N.	MATERIAL
1	Union	1	Nickel-plated brass CW614N
2	Nut	1	Nickel-plated brass CW617N
3	Female end adapter	1	Nickel-plated brass CW617N
4	Seal	2	P.T.F.E.
5	Pierced ball	1	Chrome-plated brass CW617N
6	Stem	1	Brass CW614N
7	O-ring	1	NBR
8	O-ring	1	Viton®
9	Body	1	Nickel-plated brass CW617N
10	T handle	1	Varnished aluminium
11	Screw	1	Zinc-plated steel C4C