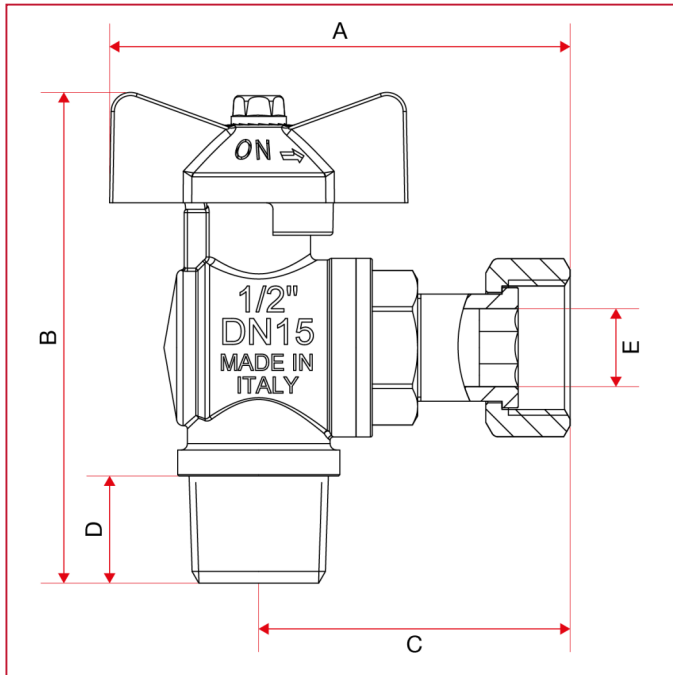




ANGLE BALL VALVES FOR GAS

062 Angle ball valves for gas with revolving nut

OVERALL DIMENSIONS



	1/2"
DN	15
A	71
B	75,5
C	48
D	16,5
E	12
Kg/cm ² bar	5
LBS - psi	72,5