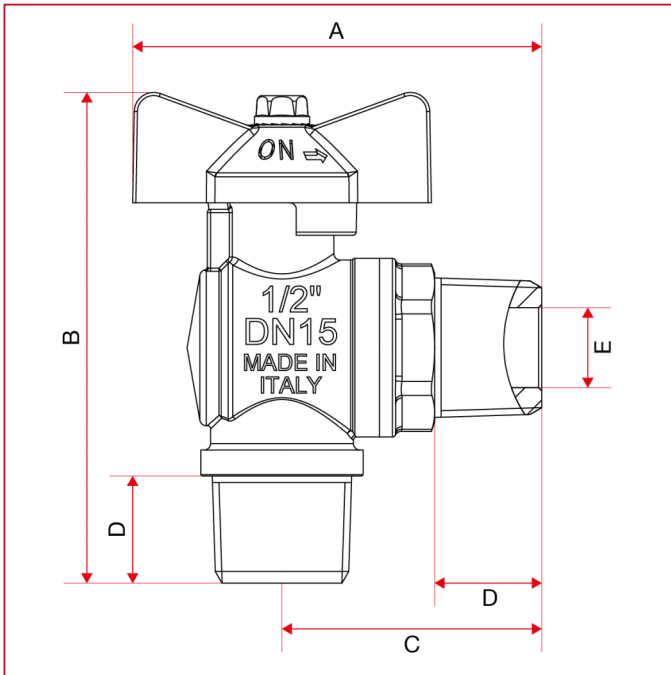




燃气角型球阀

060 燃气角型球阀

总尺寸



| | 1/2" |
|------------------------|------|
| DN | 15 |
| A | 63 |
| B | 75,5 |
| C | 40 |
| D | 16,5 |
| E | 12 |
| Kg/cm ² bar | 5 |
| LBS - psi | 72,5 |