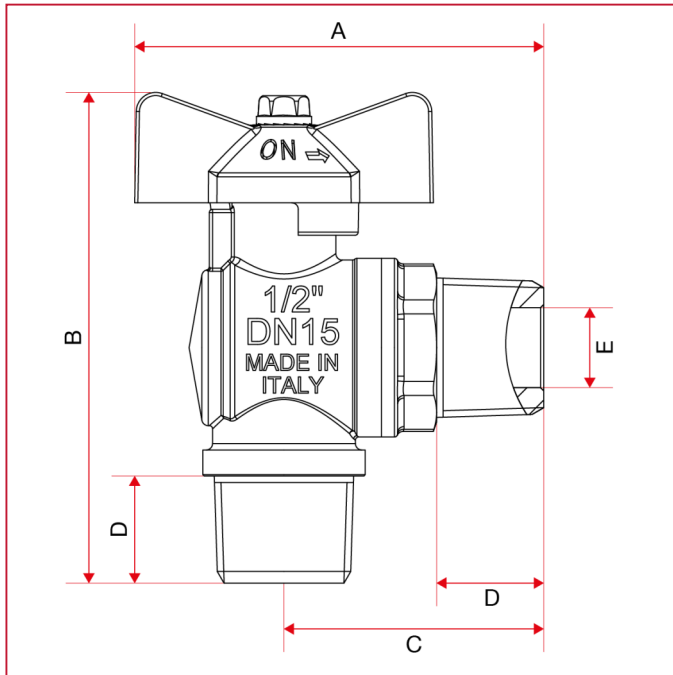




ANGLE BALL VALVES FOR GAS

060 Angle ball valves for gas

OVERALL DIMENSIONS



	1/2"
DN	15
A	63
B	75,5
C	40
D	16,5
E	12
Kg/cm ² bar	5
LBS - psi	72,5