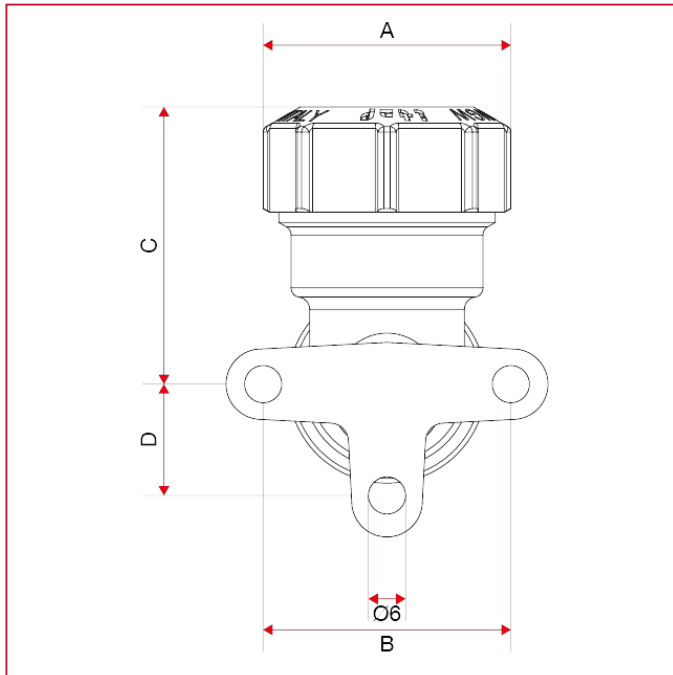




VX FITTINGS FOR POLYETHYLENE PIPES

048 Backplate female elbow

OVERALL DIMENSIONS



	1/2"x20	3/4"x25	1"x32
DN	15	20	25
A	34	40	50
B	35	40	48
C	38	45	51
D	16	18	23