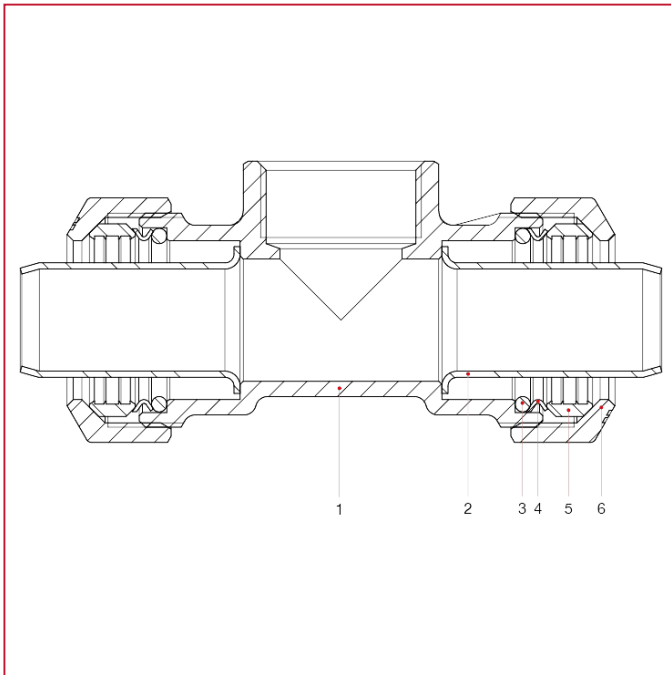




VX FITTINGS FOR POLYETHYLENE PIPES

035 Female branch T coupling

MATERIALS



POS.	DESCRIPTION	N.	MATERIAL
1	Body	1	Brass CW617N
2	Liner	2	Stainless steel AISI 304
3	O-ring	2	NBR
4	O-Ring pushing washer	2	Stainless steel AISI 304
5	Fastening ring	2	Nickel-plated brass CW617N
6	Tightening nut	2	Brass CW617N