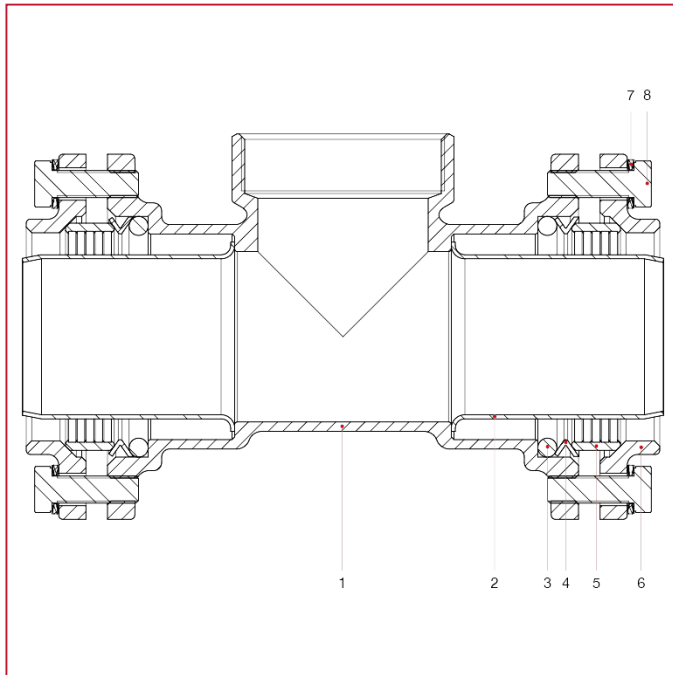




# VX FITTINGS FOR POLYETHYLENE PIPES

## 035FL Female branch T coupling, with flanges

### MATERIALS



POS.	DESCRIPTION	N.	MATERIAL
1	Body	1	Brass CW617N
2	Liner	2	Stainless steel AISI 304
3	O-ring	2	NBR
4	O-Ring pushing washer	2	Stainless steel AISI 304
5	Fastening ring	2	Brass CW617N
6	Flange	2	Brass CW617N
7	Wascher	8	Stainless steel AISI 304
8	Screw	8	Stainless steel AISI 304